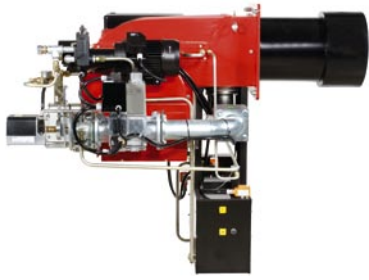




## DUAL FUEL BURNERS FOR GAS/HEAVY OIL AT 2 STAGE PROGRESSIVE OR PID FULLY MODULATING



Dual fuel burners for gas and heavy oil at 2 stages progressive (hi-low flame) or PID fully modulating if optional modulation kit (digital type) and feeder (of temperature or pressure) are added.

Fan at high pressurization, high efficiency combustion head with adjustment and high flame stability, pilot flame for gas ignition.

Available versions for natural gas or LPG (to be specified in your order).

Gas train includes working valve, safety valve, minimum gas pressure switch, gas pressure filter-stabilizer and is supplied already assembled, connected and tested.

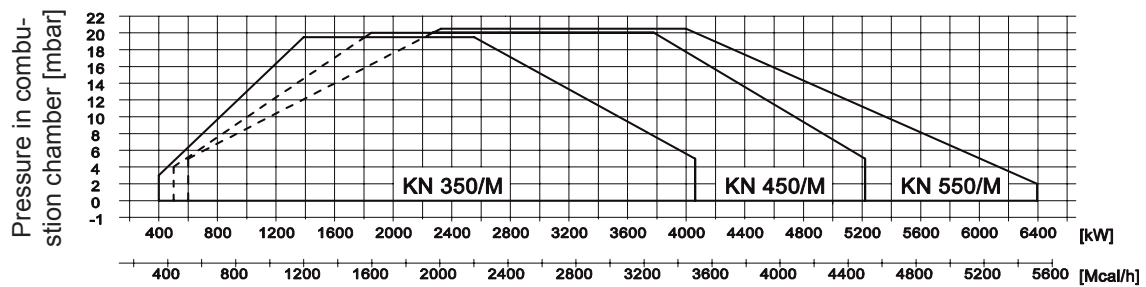
The adoption of strong metal components makes the burner durable also in heavy duty conditions.

Burners are supplied with nozzle, fuel switch, gasket for installation on boiler, flexible hoses, pre-heated line filter and thermostat, pre-heating tank with low density flanged resistances.

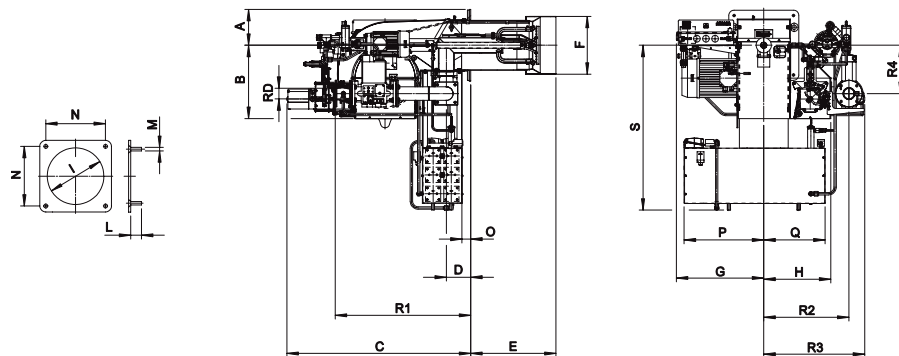
### TECHNICAL DATA

MODEL		KN 350/M	KN 450/M	KN 550/M
Flow-rate G20 (META-NO) *	Nm <sup>3</sup> /h	47/140-409	58/187-526	70/235-647
Flow-rate G31 (G.P.L.) *	Nm <sup>3</sup> /h	18/54-158	22/72-203	27/91-250
Flow-rate HEAVY OIL	Kg/h	40/120-350	50/160-450	60/200-550
Heat output *	Mcal/h	400/1200-3500	500/1600-4500	600/2000-5500
Heat output *	kW	464/1390-4060	580/1850-5220	696/2325-6395
Motor	kW	9,2	11	15
Maximum absorbed power	kW	37,5	46	-
Fuel		NATURAL GAS (second family) - GPL (third family) o HEAVY OIL 5°-20° E a 50°C		
Electrical supply		3~400V-1/N~230V-50HZ		

### FIRING RATES: Heat output – Combustion chamber pressure



### OVERALL DIMENSIONS (mm.)



MODEL	A	B	C	D	E	F	G	H	I	L	M	N	O	P	Q	S	R1	R2	R3	R4	RD	RAMP weight
KN 350/M-DN65	235	481	1206	160	535	334	575	440	355	50	M14	390	57	523	405	933	890	560	665	317	DN65	37 Kg
KN 350/M-DN80	235	481	1206	160	535	334	575	440	355	50	M14	390	57	523	405	933	910	560	680	317	DN80	47 Kg
KN 350/M-DN100	235	481	1206	160	535	334	575	440	355	50	M14	390	57	523	405	933	950	590	715	317	DN100	57 Kg
KN 450/M-DN65	235	481	1206	160	560	380	575	440	400	50	M14	390	57	523	405	1085	890	560	665	317	DN65	37 Kg
KN 450/M-DN80	235	481	1206	160	560	380	575	440	400	50	M14	390	57	523	405	1085	910	560	680	317	DN80	47 Kg
KN 450/M-DN100	235	481	1206	160	560	380	575	440	400	50	M14	390	57	523	405	1085	950	590	715	317	DN100	57 Kg
KN 550/M-DN65	235	481	1206	160	560	380	575	440	400	50	M14	390	57	523	405	1085	890	560	665	317	DN65	37 Kg
KN 550/M-DN80	235	481	1206	160	560	380	575	440	400	50	M14	390	57	523	405	1085	910	560	680	317	DN80	47 Kg
KN 550/M-DN100	235	481	1206	160	560	380	575	440	400	50	M14	390	57	523	405	1085	950	590	715	317	DN100	57 Kg

The illustrations and data here shown are indicative. F.B.R. Bruciatori S.r.l. reserves the right to bring, without any obligation of warning, any changes that would be appropriate to the continuing development of their products